

# SMD Type Crystal Resonators

## DMX-38(AT)



Actual size 

### ■ Features

- Surface mount of AT-38 crystal resonator with molded package.
- Good for automatic mounting and reflow soldering.

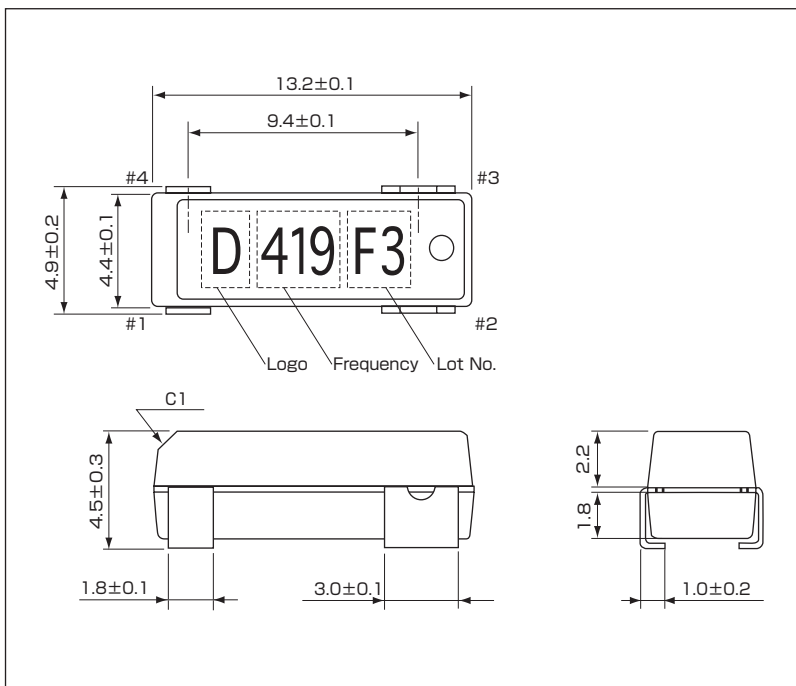
### ■ Generic Specification

Item	Type	DMX-38(AT)
Frequency Range		3.579~28MHz
Vibration Mode		Fundamental
Load Capacitance		Series 12pF, 16pF, 20pF, 32pF
Drive Level		10μW (300μW max.)
Frequency Tolerance		±50×10 <sup>-6</sup> , ±100×10 <sup>-6</sup> (at 25°C)
Series Resistance		40~200Ω
Frequency Characteristics over Temperature		±50×10 <sup>-6</sup> , ±100×10 <sup>-6</sup> /-40~+85°C (Ref. to 25°C)
Storage Temperature Range		-40~+85°C
Aging		±5×10 <sup>-6</sup> max./year

Packing Unit : 1000pcs./reel ( φ 330)

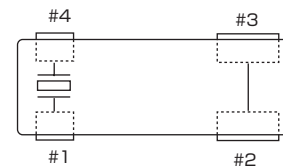
Consult our sales representative for other specifications.

### ■ Dimensions [mm]



### ■ Internal Connections

<Top View>



### ■ Recommended Land Pattern [mm]

